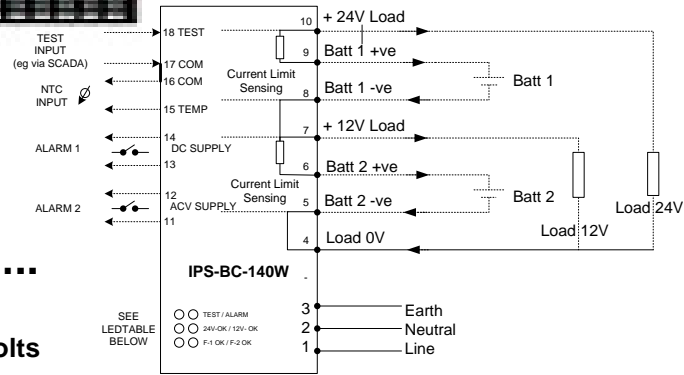
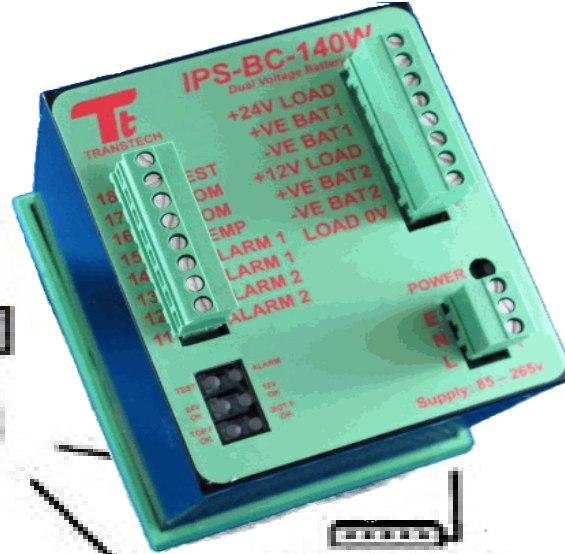
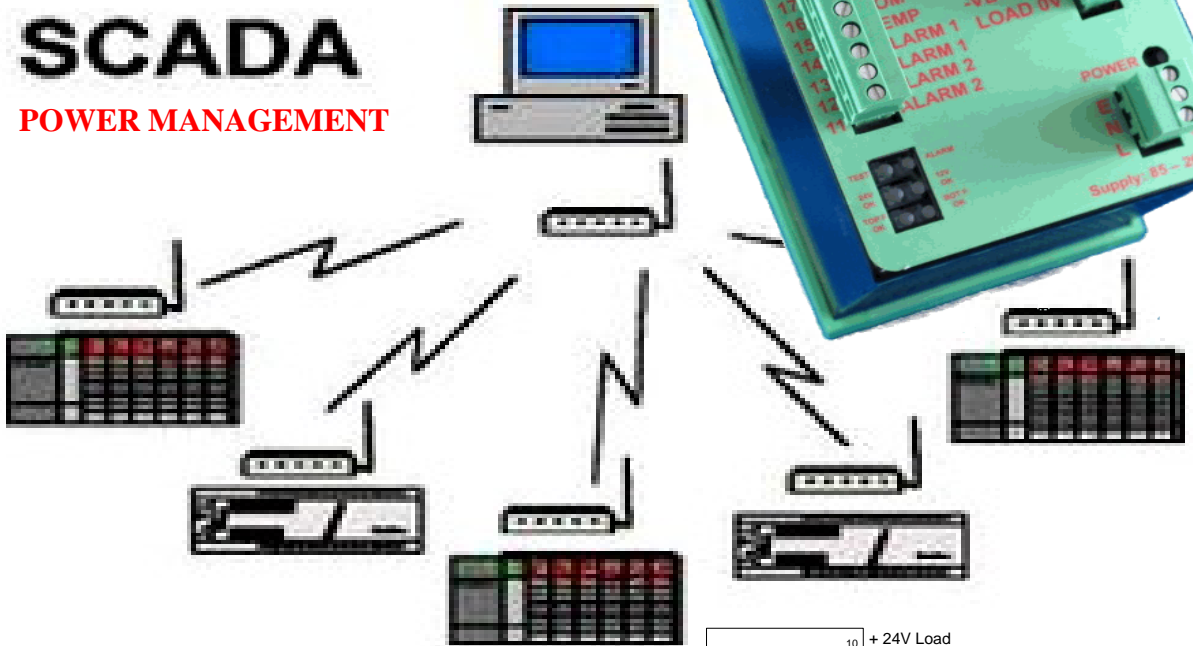


APPLICATION NOTE BATTERY CHARGER-PSU

IPS-BC-140W

TRANSTECH offers its own locally designed and manufactured Battery Charger + PSU to suit the SCADA Industry. The IPS-BC-140W provides a dual 24vdc / 12vdc supply together with controlled charge management of the two 12VDC sealed Lead Acid batteries.

SCADA POWER MANAGEMENT



IPS-BC-140W Features.....

- Automatic Power Factor correction
- Auto-disconnect on reverse battery volts
- Continuously rated for **140Watts @ 24V** to 65 Deg C
- Will charge up to an 32AH battery size from flat condition.
- "Hot" change out for batteries via pushbutton input
- Current limited DCV outputs
- Output healthy LED's (ACV, DCV, F1, F2, ALARM, TEST)
- Passed testing to EN61000, CSPIR 11
- C-tick / CE Markings
- Loss of supply alarm output.
- Low Battery capacity alarm output (remote TEST function)



Also in Sydney - Melbourne - Brisbane - Adelaide

Transtech Electronic Controls Pty Ltd

ABN 21 070 629 499

Perth - Melbourne

Perth Tel: (08) 9302-2044

Info@transtech.com.au