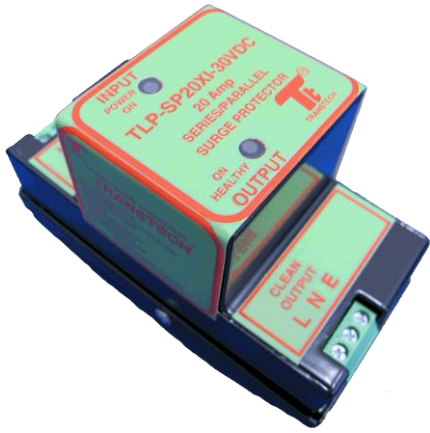


MODEL:- TLP-SP20XI-xx-30VDC

Transtech Lightning Protector Single Phase **20Amp**, **Series OR Parallel** connection covering CAT B - A



GENERAL DESCRIPTION

The TLP-SP20XI-30VDC is either a series or parallel connected lightning and power transient arrester. The range provides voltage surge limitation for sensitive electronic devices connected to the mains power supply. The TLP-SP20XI-30VDC must always be installed on the load side of a fuse rated at 20 amps or less. The TLP-SP20XI-30VDC can only be mounted on to “DIN” rails (DIN 46277-1 and 46277-3)

For mains supply of greater than 100A adequate HRC fuse or MCB protection must be installed prior to the TLP-SP20XI-xxx

FEATURES

- ◆ Compact design – space saving
- ◆ Low “let thru” voltage
- ◆ Designed and manufactured to ISO 9001
- ◆ Internally protected – automatic reset
- ◆ Local status indication by coloured LED’s
- ◆ High Energy/low dissipation designed pcb’s
- ◆ CE Marking / C-tick N 2909
- ◆ Full 3 mode protection
- ◆ DIN 43880 compliant
- ◆ **Designed to meet IEC 61643-1:2005**
- ◆ **Designed to meet AS/NZS 1768:2007 and UL1449-3**

NOTE: This device must be installed by a Qualified Electrician.

TECHNICAL DATA

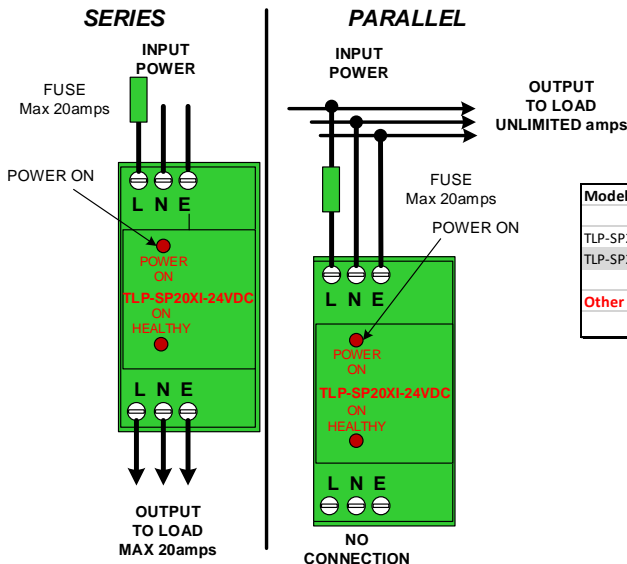
Normal Working voltage	24Vdc
Maximum working voltage	30VDC (positive to negative)
Working Freq.	-
Peak let thru volts	95V
Maximum mains current	20A
	Must be fuse protected over 100A Mains
Imax	20kA or 40kA
Response time	Less than 25nS
Relay Contacts	Not fitted
Surge Reset	Automatic

SPECIAL FEATURES

Indication	Power ON LED + Healthy LED
------------	----------------------------

GENERAL SPECIFICATION

Operating Temp	-40 to +70 Deg C
Terminals	4mm ² solid max / 10mm ² flex max
Remote Terminals	-
Indicators	LED
Housing Material	Mild Steel (Powder coated)
Dimensions	115 x 50 x 85mm (H x W x D)
Weight	400grams
Mounting	Standard DIN Rail



Model	Relay	Working Voltage	Frequency.	Imax	In	Let Thru V	Response Time	Cut Off Freq.
		L-N / +ve - -ve		1 Pulse	15x8/20us	1p @ 1Amp		dB
TLP-SP20XI-30VDC	N	30V	DC	20kA	12kA	<120	25nS	N/A
TLP-SP20XI-30VDC	N	30V	DC	40kA	24kA	<120	25nS	N/A

Other Voltages (incl DCV) available please contact factory

TABLE No 2

