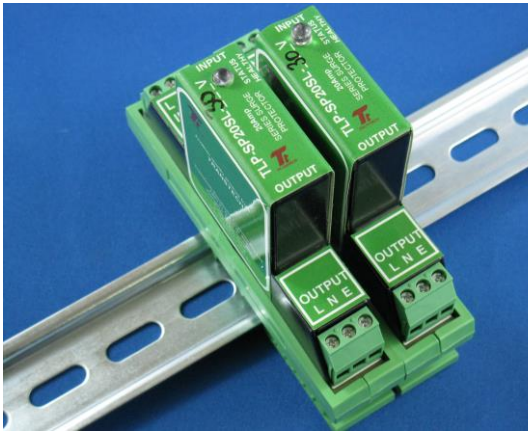


## MODEL:- TLP-SP20SL(RI)-xxxV

Transtech Lightning Protector Single Phase **20Amp**, **Series OR Parallel** connection covering CAT B - A



### GENERAL DESCRIPTION

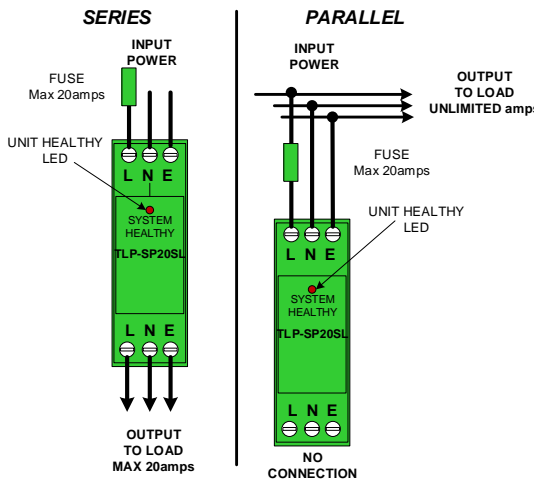
The TLP-SP20SL(RI) range is either a series or parallel connected lightning and power transient arrester. The range provides voltage surge limitation for sensitive electronic devices connected to the mains power supply. The TLP-SP20SL(RI) must always be installed on the load side of a fuse rated at 20 amps or less. The TLP-SP20SL(RI) can be mounted directly on to “G” or “DIN” rails (DIN 46277-1 and 46277-3)

**For mains supply of greater than 100A adequate HRC fuse or MCB protection must be installed prior to the TLP-SP20SL-xxx**

### FEATURES

- ◆ Compact design – space saving
- ◆ Low “let thru” voltage
- ◆ Designed and manufactured to ISO 9001
- ◆ Internally protected – automatic reset
- ◆ Local status indication by coloured LED’s
- ◆ High Energy/low dissipation designed pcb’s
- ◆ CE Marking / C-tick N 2909
- ◆ Full 3 mode protection
- ◆ DIN 43880 compliant
- ◆ **Designed to meet IEC 61643-1:2005**
- ◆ **Designed to meet AS/NZS 1768:2007 and UL1449-3**

**NOTE: This device must be installed by a Qualified Electrician.**



Normal Working voltage	see table 2 below
Maximum working voltage	275VAC rms (phase to neutral)
Working Freq.	40 - 60Hz
Peak let thru volts	see table 2 below
Maximum mains current	20A (40Amp and 63Amp available)
	Must be fuse protected over 100A Mains
Imax	see table 2 below
Response time	Less than 25nS
Relay Contacts	Optional SPCO (1 amp @240Vac)
Surge Reset	Automatic

### SPECIAL FEATURES

Indication	LED Power ON
OPTIONS	
Relay Output	Available on the <b>TLP-SP20RI</b> versions

### GENERAL SPECIFICATION

Operating Temp	-40 to +70 Deg C
Terminals	4mm <sup>2</sup> solid max / 10mm <sup>2</sup> flex max
Remote Terminals	-
Indicators	LED
Housing Material	Mild Steel (Powder coated)
Dimensions	see table 3 below
Weight	see table 3 below
Mounting	DIN 43880 Standard DIN Rail

Model	Working Voltage		Frequency.	Imax	In 15x8/20us	Let Thru V 1p @ 1Amp	Response Time	Cut Off Freq. dB
	Line - Neutral							
TLP-SP20SL-30V	-	30V	40-60HZ	36kA	24kA	<48	25nS	N/A
TLP-SP20SL-50V	-	50V	40-60HZ	36kA	24kA	<60	25nS	N/A
TLP-SP20SL-150V	-	110V	40-60HZ	36kA	24kA	<165	25nS	N/A
TLP-SP20SL-275V	-	240V	40-60Hz	36kA	24kA	<625	25nS	N/A
TLP-SP20RI-120V	R	110V	40-60Hz	36kA	24kA	<626	25nS	N/A
TLP-SP20RI-240V	R	240V	40-60Hz	36kA	24kA	<627	25nS	N/A
TLP-SP20RI-80-120V	R	110V	40-60Hz	80kA	52kA	<628	25nS	N/A
TLP-SP20RI-80-240V	R	240V	40-60Hz	80kA	52kA	<629	25nS	N/A

Other Voltages available please contact factory

TABLE No 2

