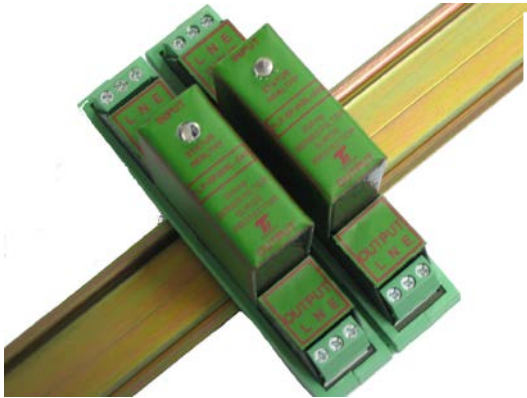


MODEL:- TLP-SF20SL-xxxV
Transtech Lightning Protector Single Phase 20Amp, 3 Mode with LED & RELAY
covering CAT B - A



GENERAL DESCRIPTION

The TLP-SF20SL-xxx is a range of single phase series connected 20Amp lightning and transient protector, that provides protection for electrical / electronic equipment connected to single phase distribution systems.
 The TLP-SF20SL-xxx are true 3 mode series connected protection devices with a specifically designed low pass filter and high level of kA rating in all 3 modes.
 The TLP-SF20SL-xxx series offers a DIN style format to match the profile of most MCB's. An option of have a relay output is available.

For mains supply of greater than 100A adequate HRC fuse or MCB protection must be installed prior to the TLP-SFxxx

FEATURES

- ◆ Compact design – space saving
- ◆ Low “let thru” voltage
- ◆ Designed and manufactured to ISO 9001
- ◆ Internally protected – automatic reset
- ◆ Local status indication by coloured LED's
- ◆ Remote status indication relay output
- ◆ High Energy/low dissipation designed pcb's
- ◆ CE Marking / C-tick N 2909
- ◆ Full 3 mode protection
- ◆ DIN 43880 compliant
- ◆ **Independently Tested and passed IEC 61643-1:2005**
- ◆ **Designed to meet AS/NZS 1768:2007**

NOTE: This device must be installed by a Qualified Electrician.

TECHNICAL DATA

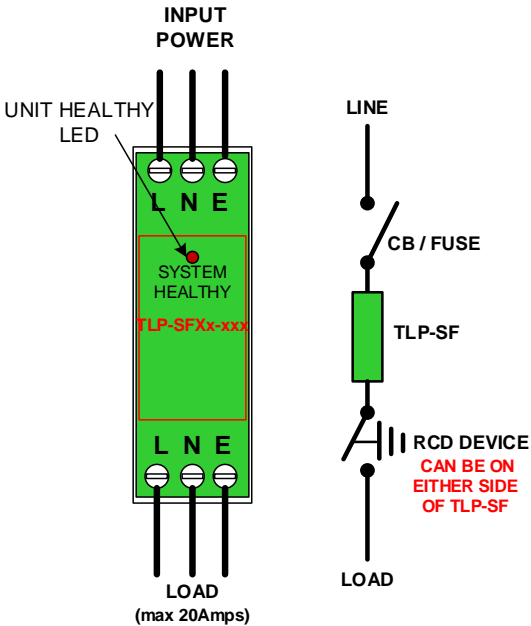
Normal Working voltage	see table 2 below
Maximum working voltage	275VAC rms (phase to neutral)
Working Freq.	40 - 60Hz
Peak let thru volts	see table 2 below
Maximum mains current	20A (40Amp and 63Amp available) Must be fuse protected over 100A Mains
I _{max}	see table 2 below
Response time	Less than 25nS
Relay Contacts	Optional SPCO (1 amp @240Vac)
Surge Reset	Automatic

SPECIAL FEATURES

Indication	LED Power ON
OPTIONS	
Relay Output	Available on TLP-SF20RI-xxx

GENERAL SPECIFICATION

Operating Temp	-40 to +70 Deg C
Terminals	4mm ² solid max / 10mm ² flex max
Remote Terminals	-
Indicators	LED
Housing Material	Mild Steel (Powder coated)
Dimensions	see table 3 below
Weight	see table 3 below
Mounting	DIN 43880 Standard DIN Rail



Model	Working Voltage		Frequency.	I _{max}	I _n	Let Thru V	Response Time	Cut Off Freq
	Line - Neutral	Line - Earth						
TLP-SF20SL-12VDC	12V	DCV	40-60HZ	36kA	24kA	<48	25nS	-3dB
TLP-SF20SL-24V	24V	DCV	40-60HZ	36kA	24kA	<48	25nS	-3dB
TLP-SF20SL-30V	30V	DCV	40-60HZ	36kA	24kA	<60	25nS	-3dB
TLP-SF20SL-110VDC	110V	DCV	40-60HZ	36kA	24kA	<275	25nS	-3dB
TLP-SF20SL-120V	120V	DCV	40-60HZ	36kA	24kA	<710	25nS	-3dB
TLP-SF20SL-240V	240V	DCV	40-60HZ	36kA	24kA	<710	25nS	-3dB
TLP-SF20RI-240V	240V	DCV	40-60HZ	72kA	48kA	<710	25nS	-3dB

Other Voltages available please contact factory

TABLE No 2

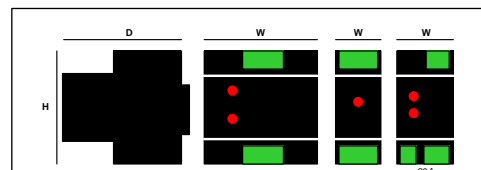


TABLE 3

MODEL	WIDTH	HIGH	DEEP	WEIGHT
TLP-SF20SL	25 mm	110 mm	90 mm	0.12kg
TLP-SF20RI	48 mm	110 mm	90 mm	0.19kg
TLP-SF40-1P	115 mm	110 mm	90 mm	1.0kg
TLP-SF63-1P	135 mm	110 mm	90 mm	1.0kg