

## MODEL:- TLP-Pxxx-3P-DRI

Transtech Lightning Protector Three Phase, 3 Mode with Dual Colour LED's and Remote Indicator Class I / CAT C or less



### GENERAL DESCRIPTION

The TLP-Pxxx-3P-DRI is a “new series” lightning and transient protector which provides protection for electrical / electronic equipment connected to three phase distribution systems.

The TLP-Pxxx-3P-DRI is a true 3 mode parallel connected protection device offering 4 levels of kA rating in all 3 modes and offers Dual Colour LEDs and a Remote Indicator output to drive a Transtech panel mounted remote monitor module. A further option is a Modbus output to directly interface to a BMS.

**For mains supply of greater than 100A adequate HRC fuse or MCB protection must be installed prior to the TLP-xxx-3P**



### FEATURES

- ◆ Low “let thru” voltage
- ◆ Designed and manufactured to ISO 9001
- ◆ Internally protected – automatic reset
- ◆ Local status indication by dual colour LED's
- ◆ Remote status indication relay
- ◆ Remote Indicator output
- ◆ Modbus Output
- ◆ High Energy designed pcb's
- ◆ CE Marking / C-tick N 2909
- ◆ Full 3 mode protection
- ◆ DIN 43880 compliant
- ◆ Designed to pass IEC 61643-1:2005 and AS/NZS 1768:2003
- ◆ Compliant with IEC 62305-4:2010

**NOTE: This device must be installed by a Qualified Electrician.**

### TECHNICAL DATA

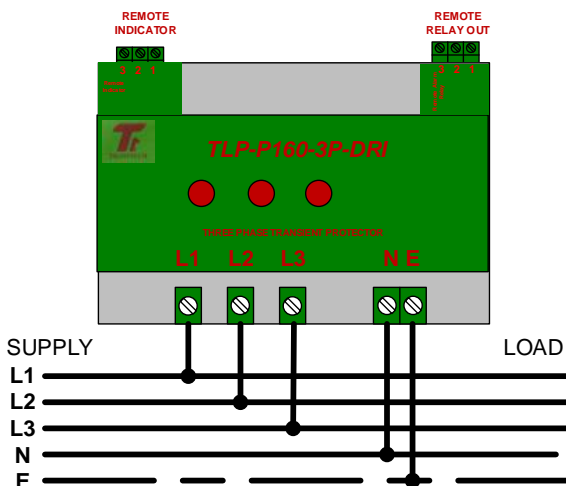
Normal Working voltage	see table 2 below
Maximum working voltage	476VAC rms (phase to phase)
Working Freq.	40 - 60Hz
Peak let thru volts Up	see table 2 below
Maximum mains current	Unlimited (parallel connected) Must be fuse protected over 100A
Mains	
Imax	see table 2 below
Iimp	see table 2 below
Response time	Less than 25nS
Alarm Relay Contacts	SPCO (1 amp @240Vac), drops out on fault 2 = Com / 1 = NO / 3 = NC (no power on) Automatic
Surge Reset	

### SPECIAL FEATURES

LED's (3)	L1, L2, L3, <b>RED</b> = healthy / <b>AMBER</b> = replace)
Indications of fault	Dual Colour LED's and Alarm Relay
MB (optional upon request)	Modbus Output for BMS

### GENERAL SPECIFICATION

Operating Temp	-40 to +70 Deg C
Terminals	16mm <sup>2</sup> solid max / 10mm <sup>2</sup> flex max
Remote Terminals	Plug in 2.5mm <sup>2</sup>
Indicators	Dual Colour LED's
Housing Material	Mild Steel (Powder coated)
Dimensions	155 (W) x 110 (D) x 75 (H)
Weight	850 grams
Mounting	DIN 43880 Standard DIN Rail



### CONNECTION

(CABLES 16sq/mm AS SHORT AS POSSIBLE)

Model	Working Voltage		Frequency	Imax	Iimp	In	Let Thru V @3kA	Response Time
	Phase-Phase	Line-Neutral						
TLP-P80-3P-DRI	415V	240V	40-60HZ	80kA	5.0kA	32kA	> 810	25nS
TLP-P120-3P-DRI	415V	240V	40-60HZ	120kA	7.5kA	48kA	> 810	25nS
TLP-P160-3P-DRI	415V	240V	40-60HZ	160kA	10.0kA	64kA	> 810	25nS
TLP-P200-3P-DRI	415V	240V	40-60HZ	200kA	12.5kA	80kA	> 810	25nS
TLP-P240-3P-DRI	415V	240V	40-60HZ	240kA	15.0kA	96kA	> 810	25nS
TLP-P300-3P-DRI	415V	240V	40-60HZ	300kA	18.5kA	120kA	> 810	25nS

TABLE No 2

