

MODEL:- TLP-CPxxx3P-DRI

Transtech Lightning Protector Three Phase, 3 Mode with Dual Colour LED's and Remote Indicator – Class I / CAT C or less



GENERAL DESCRIPTION

The TLP-CPxxx-3P-DRI is a “compact design new series” lightning and transient protector which provides protection for electrical / electronic equipment connected to three phase distribution systems. The TLP-CPxxx-3P-DRI is a true 3 mode parallel connected protection device offering 3 levels of kA rating in all 3 modes and offers Dual Colour LEDs and a Remote Indicator output to drive a panel mounted remote monitor module. A special feature is that the CP series can be ordered with a Modbus output which replaces the relay output.

For mains supply of greater than 100A adequate HRC fuse or MCB protection must be installed prior to the TLP-xxx-3P

FEATURES

- ◆ Compact design – space saving
- ◆ Low “let thru” voltage
- ◆ Designed and manufactured to ISO 9001
- ◆ Internally protected – automatic reset
- ◆ Local status indication by dual colour LED's
- ◆ Remote status indication relay or Modbus Output
- ◆ Remote Indicator output
- ◆ High Energy designed pcb's
- ◆ CE Marking / C-tick N 2909
- ◆ Full 3 mode protection
- ◆ DIN 43880 compliant
- ◆ Designed to pass IEC 61643-1:2005 and AS/NZS 1768:2003
- ◆ Compliant with IEC 62305-4:2010

NOTE: This device must be installed by a Qualified Electrician.

TECHNICAL DATA

Normal Working voltage	see table 2 below
Maximum working voltage	476VAC rms (phase to phase)
Working Freq.	40 - 60Hz
Peak let thru volts Up	see table 2 below
Maximum mains current	Unlimited (parallel connected) Must be fuse protected over 100A Mains
Imax	see table 2 below
Iimp	see table 2 below
Response time	Less than 25nS
Relay Contacts	SPCO (1 amp @240Vac)
Surge Reset	Automatic

SPECIAL FEATURES

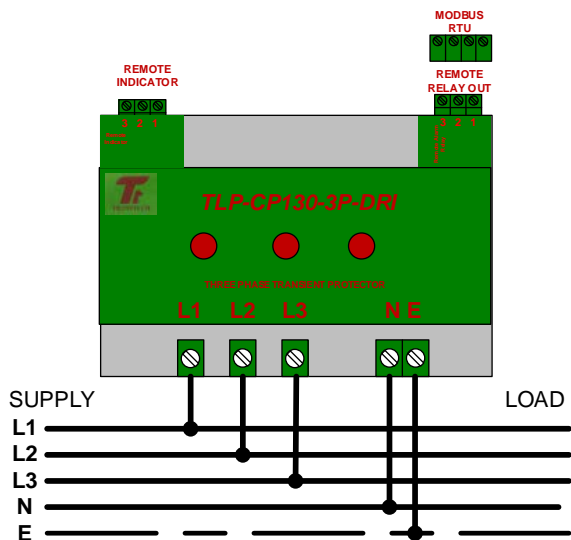
Relay Output	Phase loss
LED's (3)	L1, L2, L3, RED = healthy / AMBER = replace)
DIR	Dual LED's Remote Indicator & Relay
OPTION	
Modbus Output	Replaces the Relay output

GENERAL SPECIFICATION

Operating Temp	-40 to +70 Deg C
Terminals	16mm ² solid max / 10mm ² flex max
Remote Terminals	Plug in 2.5mm ²
Indicators	Dual Colour LED's
Housing Material	Mild Steel (Powder coated)
Dimensions	155 (W) x 105 (D) x 85 (H)
Weight	850 grams
Mounting	DIN 43880 Standard DIN Rail

Model	Working Voltage	Frequency	In			Let Thru V @3kA	Response Tim
			1 Pulse	10/350us	15x8/20us		
TLP-CP50-3P-DRI	415V	40-60HZ	50kA	3kA	20kA	> 810	25nS
TLP-CP100-3P-DRI	415V	40-60HZ	100kA	6.5kA	40kA	> 810	25nS
TLP-CP130-3P-DRI	415V	40-60HZ	130kA	8.5kA	52kA	> 810	25nS
TLP-CP50-3P-MB	415V	40-60HZ	50kA	3kA	20kA	>810	25nS
TLP-CP100-3P-MB	415V	40-60HZ	100kA	6.5kA	40kA	>810	25nS
TLP-CP130-3P-MB	415V	40-60HZ	130kA	8.5kA	52kA	>810	25nS

TABLE No 2



CONNECTION
(CABLES 16sq/mm AS SHORT AS POSSIBLE)

