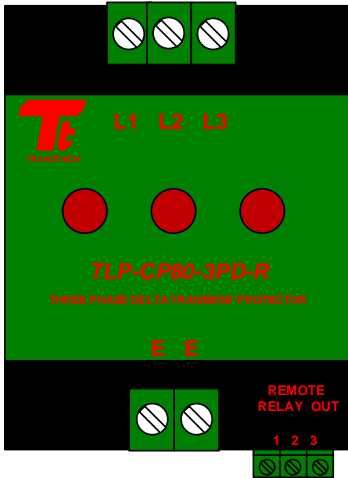


## MODEL:- TLP-CPHxx-3PD-R

Transtech Lightning Protector Three Phase/ Delta, 3 Mode with LED's & Relay for Class I / CAT C or less



### GENERAL DESCRIPTION

The TLP-CPHxx-3PD-R is a “compact design hybrid series” lightning and transient protector which provides protection for electrical / electronic equipment connected to three phase **DELTA** distribution systems.

The TLP-CPH80-3PD-R is a true 3 mode parallel connected protection device offering 80kA rating in all 3 modes and offers LED indication and a Relay.

**For mains supply of greater than 100A adequate HRC fuse or MCB protection must be installed prior to the TLP-xxx-3P**

### FEATURES

- ◆ Compact design – space saving
- ◆ Low “let thru” voltage
- ◆ Designed and manufactured to ISO 9001
- ◆ Internally protected – automatic reset
- ◆ Local status indication by RED LED's
- ◆ Remote status indication relay
- ◆ High Energy designed pcb's
- ◆ CE Marking / C-tick N 2909
- ◆ Full 3 mode protection
- ◆ DIN 43880 compliant
- ◆ Designed to pass IEC 61643-1:2005 and AS/NZS 1768:2003
- ◆ Compliant with IEC 62305-4:2010

**NOTE: This device must be installed by a Qualified Electrician.**

### TECHNICAL DATA

Normal Working voltage  
Maximum working voltage  
Working Freq.  
Peak let thru volts Up  
Maximum mains current

Imax  
Iimp  
Response time  
Alarm Relay Contacts

Surge Reset

Delta supply 415V  
476VAC rms (phase to phase)  
40 - 60Hz  
Less than 800V  
Unlimited (parallel connected)  
Must be fuse protected over 100A Mains  
See table 2  
See table 2  
Less than 25nS  
SPCO (1 amp @240Vac), drops out on fault  
2 = Com / 1 = NC / 3 = NO (no power on)  
Automatic

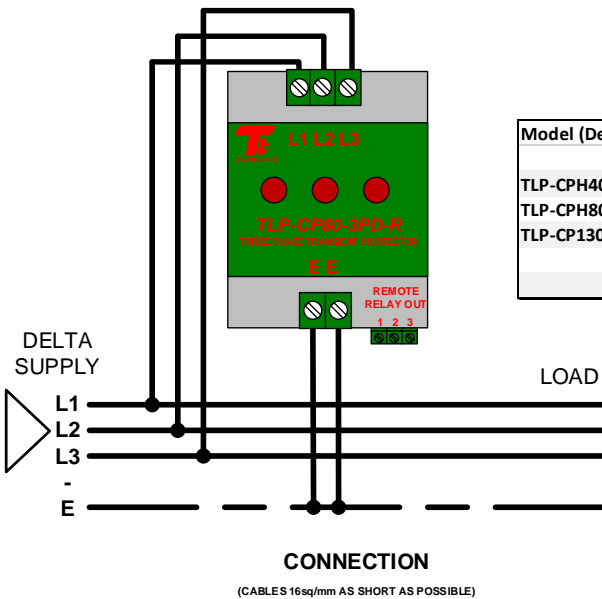
### SPECIAL FEATURES

LED's (3)  
Indication for faults

L1, L2, L3, **RED** = healthy  
Alarm Relay

### GENERAL SPECIFICATION

Operating Temp -40 to +70 Deg C  
Terminals 16mm<sup>2</sup> solid max / 10mm<sup>2</sup> flex max  
Remote Terminals Plug in 2.5mm<sup>2</sup>  
Indicators RED LED's  
Housing Material Mild Steel (Powder coated)  
Dimensions 85 (W) x 110 (D) x 75 (H)  
Weight 850 grams  
Mounting DIN 43880 Standard DIN Rail



Model (Delta Supply)	Working Voltage Phase-Phase	Frequency.	Imax 1 Pulse	Iimp 10/350us	In 15x8/20us	Let Thru V @3kA	Response Time
TLP-CPH40-3PD-R	415V	40-60HZ	40kA	3.5kA	20kA	< 810	25nS
TLP-CPH80-3PD-R	415V	40-60HZ	80kA	5kA	40kA	< 810	25nS
TLP-CP130-3PD-R	415V	40-60HZ	130kA	8kA	80kA	< 810	25nS

**TABLE No 2**

