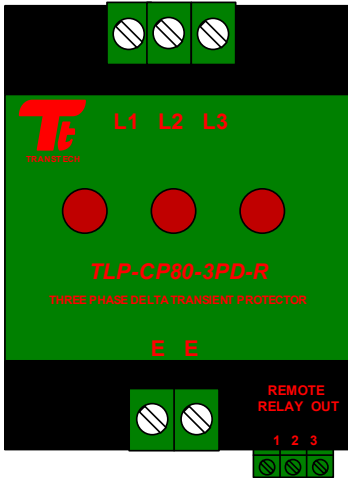


MODEL:- TLP-CPHxx-3P-D-R

Transtech Lightning Protector Three Phase/ Delta, 3 Mode with LED's & Relay for Class I / CAT C or less



GENERAL DESCRIPTION

The TLP-CPHxx-3P-D-R is a “compact design hybrid series” lightning and transient protector which provides protection for electrical / electronic equipment connected to three phase **DELTA** distribution systems.

The TLP-CPH80-3P-D-R is a **true** 3 mode parallel connected protection device offering 80kA rating in all 3 modes and offers LED indication and a Relay.

For mains supply of greater than 100A adequate HRC fuse or MCB protection must be installed prior to the TLP-xxx-3P

FEATURES

- ◆ Compact design – space saving
- ◆ Low “let thru” voltage
- ◆ Designed and manufactured to ISO 9001
- ◆ Internally protected – automatic reset
- ◆ Local status indication by RED LED's
- ◆ Remote status indication relay
- ◆ High Energy designed pcb's
- ◆ CE Marking / C-tick N 2909
- ◆ Full 3 mode protection
- ◆ DIN 43880 compliant
- ◆ Designed to pass IEC 61643-1:2005 and AS/NZS 1768:2003
- ◆ Compliant with IEC 62305-4:2010

NOTE: This device must be installed by a Qualified Electrician.

TECHNICAL DATA

Normal Working voltage
Maximum working voltage
Working Freq.
Peak let thru volts Up
Maximum mains current

Nominal heat loss
I_{max}
I_{imp}
Response time
Alarm Relay Contacts

Surge Reset

Delta supply 415V
476VAC rms (phase to phase)
40 - 60Hz
Less than 800V
Unlimited (parallel connected)
Must be fuse protected over 100A Mains
6Watts
See table 2
See table 2
Less than 25nS
SPCO (1 amp @240Vac), drops out on fault
2 = Com / 1 = NC / 3 = NO (no power on)
Automatic

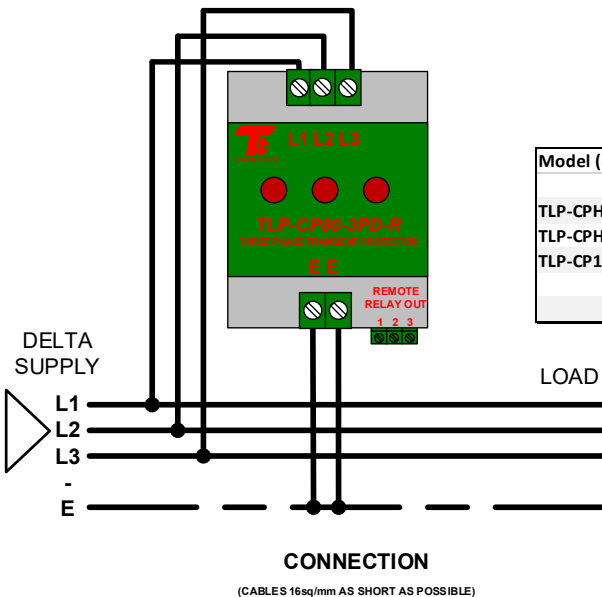
SPECIAL FEATURES

LED's (3)
Indication for faults

L1, L2, L3, **RED** = healthy
Alarm Relay

GENERAL SPECIFICATION

Operating Temp -40 to +70 Deg C
Terminals 16mm² solid max / 10mm² flex max
Remote Terminals Plug in 2.5mm²
Indicators RED LED's
Housing Material Mild Steel (Powder coated)
Dimensions 85 (W) x 110 (D) x 75 (H)
Weight 850 grams
Mounting DIN 43880 Standard DIN Rail



Model (Delta Supply)	Working Voltage	Frequency.	I _{max}	I _{imp}	I _n	Let Thru V	Response Time
	Phase-Phase		1 Pulse	10/350us	15x8/20us	@3kA	
TLP-CPH40-3P-D-R	415V	40-60HZ	40kA	3.5kA	20kA	< 810	25nS
TLP-CPH80-3P-D-R	415V	40-60HZ	80kA	5kA	40kA	< 810	25nS
TLP-CP180-3P-D-R	415V	40-60HZ	180kA	8kA	80kA	< 810	25nS

TABLE No 2

