

## MODEL:- TLP-CPHxx-3P-R

Transtech Lightning Protector Three Phase, 3 Mode with LED's & Relay for Class I / CAT C or less



### GENERAL DESCRIPTION

The TLP-CPHxx-3P-R is a “compact design hybrid series” lightning and transient protector which provides protection for electrical / electronic equipment connected to three phase distribution systems.  
 The TLP-CPHxx-3P-R is a true 3 mode parallel connected protection device offering 3 levels of kA rating in all 3 modes and offers LED indication and a Relay.  
 All units have a 75V 25kA (20kA at 10 x 8/20µs) gas arrester between neutral and earth.

**For mains supply of greater than 100A adequate HRC fuse or MCB protection must be installed prior to the TLP-xxx-3P**

### FEATURES

- ◆ Compact design – space saving
- ◆ Low “let thru” voltage
- ◆ Designed and manufactured to ISO 9001
- ◆ Internally protected – automatic reset
- ◆ Local status indication by RED LED's
- ◆ Remote status indication relay
- ◆ High Energy designed pcb's
- ◆ Gas arrester between neutral and earth
- ◆ CE Marking / C-tick N 2909
- ◆ Full 3 mode protection
- ◆ DIN 43880 compliant
- ◆ Designed to pass IEC 61643-1:2005 and AS/NZS 1768:2003
- ◆ Compliant with IEC 62305-4:2010

**NOTE: This device must be installed by a Qualified Electrician.**

### TECHNICAL DATA

Normal Working voltage	see table 2 below
Maximum working voltage	476VAC rms (phase to phase)
Working Freq.	40 - 60Hz
Peak let thru volts Up	see table 2 below
Maximum mains current	Unlimited (parallel connected) Must be fuse protected over 100A Mains
I <sub>max</sub>	see table 2 below
I <sub>imp</sub>	see table 2 below
Response time	Less than 25nS
Alarm Relay Contacts	SPCO (1 amp @240Vac), drops out on fault 2 = Com / 1 = NO / 3 = NC (no power on)
Surge Reset	Automatic

### SPECIAL FEATURES

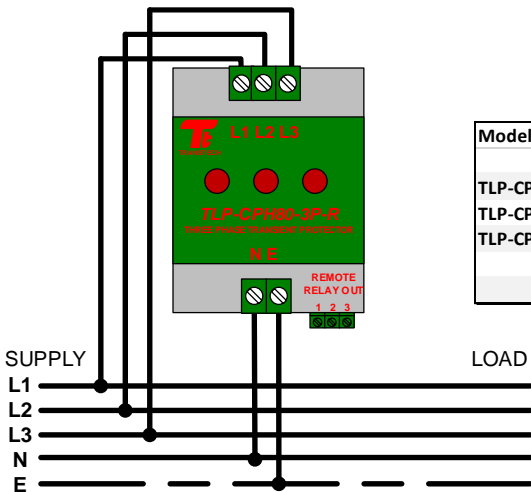
LED's (3)  
 Indication for faults  
 L1, L2, L3, **RED** = healthy  
 Alarm Relay

### GENERAL SPECIFICATION

Operating Temp	-40 to +70 Deg C
Terminals	16mm <sup>2</sup> solid max / 10mm <sup>2</sup> flex max
Remote Terminals	Plug in 2.5mm <sup>2</sup>
Indicators	RED LED's
Housing Material	Mild Steel (Powder coated)
Dimensions	85 (W) x 110 (D) x 75 (H)
Weight	850 grams
Mounting	DIN 43880 Standard DIN Rail

Model	Working Voltage	Frequency.	I <sub>max</sub>	I <sub>imp</sub>	I <sub>n</sub>	Let Thru V	Response Time
	Phase-Phase		1 Pulse	10/350us	15x8/20us	@3kA	
TLP-CPH40-3P-R	415V	40-60HZ	40kA	4kA	14kA	< 810	25nS
TLP-CPH80-3P-R	415V	40-60HZ	80kA	5kA	20kA	< 810	25nS
TLP-CPH130-3P-R	415V	40-60HZ	130kA	8kA	50kA	<810	25nS

TABLE No 2



### CONNECTION

(CABLES 16sq/mm AS SHORT AS POSSIBLE)

