

## MODEL:- TLP-CPHxx-3P-R

Transtech Lightning Protector Three Phase, 3 Mode with LED's & Relay for Class I / CAT C or less



### GENERAL DESCRIPTION

The TLP-CPHxx-3P-R is a “compact design hybrid series” lightning and transient protector which provides protection for electrical / electronic equipment connected to three phase distribution systems.

The TLP-CPHxx-3P-R is a true 3 mode parallel connected protection device offering 3 levels of kA rating in all 3 modes and offers LED indication and a Relay.

All units have a 75V 25kA (20kA at 10 x 8/20µs) gas arrester between neutral and earth.

**For mains supply of greater than 100A adequate HRC fuse or MCB protection must be installed prior to the TLP-xxx-3P**

### FEATURES

- ◆ Compact design – space saving
- ◆ Low “let thru” voltage
- ◆ Designed and manufactured to ISO 9001
- ◆ Internally protected – automatic reset
- ◆ Local status indication by RED LED's
- ◆ Remote status indication relay
- ◆ High Energy designed pcb's
- ◆ Gas arrester between neutral and earth
- ◆ CE Marking / C-tick N 2909
- ◆ Full 3 mode protection
- ◆ DIN 43880 compliant
- ◆ Designed to pass IEC 61643-1:2005 and AS/NZS 1768:2003
- ◆ Compliant with IEC 62305-4:2010

**NOTE: This device must be installed by a Qualified Electrician.**

### TECHNICAL DATA

Normal Working voltage  
Maximum working voltage  
Working Freq.  
Peak let thru volts Up  
Maximum mains current

Imax  
Iimp  
Response time  
Alarm Relay Contacts

Surge Reset

### SPECIAL FEATURES

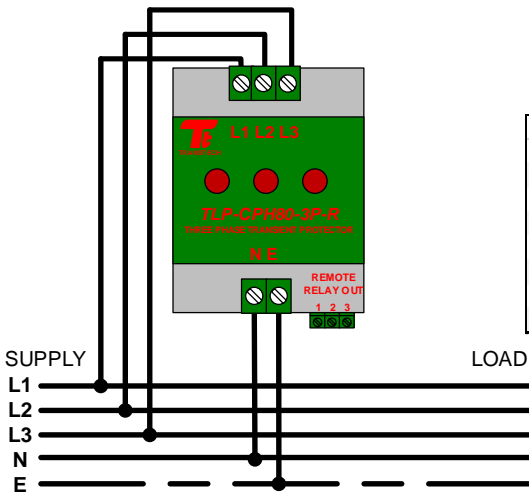
LED's (3)  
Indication for faults

see table 2 below  
476VAC rms (phase to phase)  
40 - 60Hz  
see table 2 below  
Unlimited (parallel connected)  
Must be fuse protected over 100A Mains  
see table 2 below  
see table 2 below  
Less than 25nS  
SPCO (1 amp @240Vac), drops out on fault  
2 = Com / 1 = NC / 3 = NO (no power on)  
Automatic

L1, L2, L3, **RED** = healthy  
Alarm Relay

### GENERAL SPECIFICATION

Operating Temp -40 to +70 Deg C  
Terminals 16mm<sup>2</sup> solid max / 10mm<sup>2</sup> flex max  
Remote Terminals Plug in 2.5mm<sup>2</sup>  
Indicators RED LED's  
Housing Material Mild Steel (Powder coated)  
Dimensions  
TLP-CPHxxx 85 (W) x 110 (D) x 75 (H)  
TLP-CPHHxxx 155 (W) x 110 (D) x 75 (H)  
Weight 850 grams  
Mounting DIN 43880 Standard DIN Rail



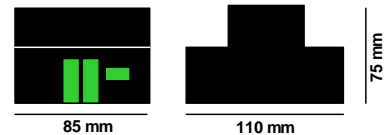
### CONNECTION

(CABLES 16sq/mm AS SHORT AS POSSIBLE)

Model	Working Voltage	Frequency.	Imax	Iimp	In	Let Thru V @3kA	Response Time
TLP-CPH65-3P-415-R	415V	40-60HZ	65kA	5kA	18kA	< 810	25nS
TLP-CPH80-3P-415-R	415V	40-60HZ	80kA	5kA	20kA	< 810	25nS
TLP-CPH130-3P-415-R	415V	40-60HZ	130kA	8kA	50kA	<810	25nS
TLP-CPHH150-3P-415-R	415V	40-60Hz	150kA	9.5kA	58kA	<810	25nS
TLP-CPHH-200-3P-415-R	415V	40-60Hz	200kA	12.5kA	70kA	<810	25nS
TLP-CPHH-240-3P-415-R	415V	40-60Hz	240kA	15kA	92kA	<810	25nS

TABLE No 2

### TLP-CPH series



### TLP-CPHH series

