

MODEL:- TLP-CPH(H)xxx-3P-415-R

Transtech Lightning Protector Three Phase, 3 Mode with LED's & Relay for Class I / CAT C or less

GENERAL DESCRIPTION

The TLP-CPHxx-3P-415-R is a “compact design hybrid series” lightning and transient protector which provides protection for electrical / electronic equipment connected to three phase distribution systems. The TLP-CPHxx-3P-415-R is a **true** 3 mode parallel connected protection device offering 3 levels of kA rating in all 3 modes and offers LED indication and a Relay. All units have a 75V 25kA (20kA at 10 x 8/20µs) gas arrester between neutral and earth.

For mains supply of greater than 100A adequate HRC fuse or MCB protection must be installed prior to the TLP-CPHxxx-3P-415-R



FEATURES

- ◆ Compact design – space saving
- ◆ Low “let thru” voltage
- ◆ Designed and manufactured to ISO 9001
- ◆ Internally protected – automatic reset
- ◆ Local status indication by RED LED's
- ◆ Remote status indication relay
- ◆ High Energy designed pcb's
- ◆ Gas arrester between neutral and earth
- ◆ CE Marking / C-tick N 2909
- ◆ Full 3 mode protection
- ◆ DIN 43880 compliant
- ◆ Designed to pass IEC 61643-1:2005 and AS/NZS 1768:2003
- ◆ Compliant with IEC 62305-4:2010

NOTE: This device must be installed by a Qualified Electrician.

TECHNICAL DATA

Normal Working voltage
Maximum working voltage
Working Freq.
Peak let thru volts Up
Maximum mains current

I_{max}
I_{imp}
Response time
Alarm Relay Contacts

Surge Reset

SPECIAL FEATURES

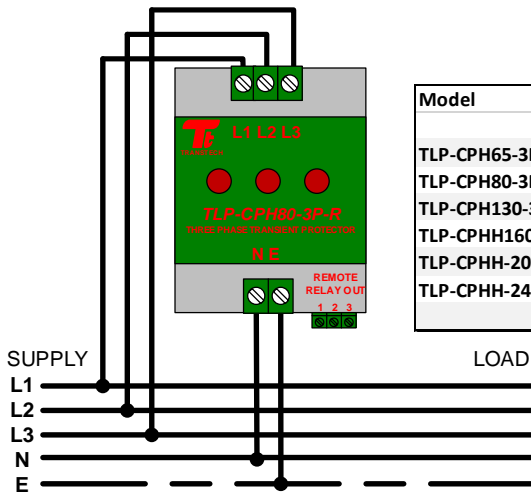
LED's (3)
Indication for faults

see table 2 below
476VAC rms (phase to phase)
40 - 60Hz
see table 2 below
Unlimited (parallel connected)
Must be fuse protected over 100A Mains
see table 2 below
see table 2 below
Less than 25nS
SPCO (1 amp @240Vac), drops out on fault
2 = Com / 1 = NC / 3 = NO (no power on)
Automatic

L1, L2, L3, **RED** = healthy
Alarm Relay

GENERAL SPECIFICATION

Operating Temp -40 to +70 Deg C
Terminals 16mm² solid max / 10mm² flex max
Remote Terminals Plug in 2.5mm²
Indicators RED LED's
Housing Material Mild Steel (Powder coated)
Dimensions
TLP-CPHxxx 85 (W) x 110 (D) x 75 (H)
TLP-CPHHxxx 155 (W) x 110 (D) x 75 (H)
Weight 850 grams
Mounting DIN 43880 Standard DIN Rail



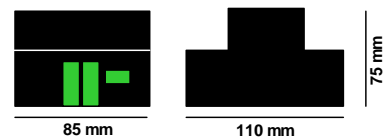
CONNECTION

(CABLES 16sq/mm AS SHORT AS POSSIBLE)

Model	Working Voltage Phase-Phase	Frequency.	I _{max}	I _{imp}	I _n	Let Thru V @3kA	Response Time
			1 Pulse	10/350us	15x8/20us		
TLP-CPH65-3P-415-R	415V	40-60HZ	65kA	5kA	18kA	< 810	25nS
TLP-CPH80-3P-415-R	415V	40-60HZ	80kA	5kA	20kA	< 810	25nS
TLP-CPH130-3P-415-R	415V	40-60HZ	130kA	8kA	50kA	<810	25nS
TLP-CPHH160-3P-415-R	415V	40-60Hz	160kA	10kA	58kA	<810	25nS
TLP-CPHH-200-3P-415-R	415V	40-60Hz	200kA	12.5kA	70kA	<810	25nS
TLP-CPHH-240-3P-415-R	415V	40-60Hz	240kA	15kA	92kA	<810	25nS

TABLE No 2

TLP-CPH series



TLP-CPHH series

