

# SSD Stainless Steel Enclosures

The SSD is a 316 stainless steel enclosure suitable for use in Zone 1 and 21 hazardous areas. The sizes shown are the most popular. Any size of enclosure is possible as long as each dimension falls within the range of smallest to largest size, shown below. This affords the range a unique flexibility, allowing customers the ability to employ cost-effective, custom sized enclosures in their application.

Ingress protected to IP66 to EN60529



IP66



## Apparatus Ratings

SSD Model	EXTERNAL Dimensions Length(D) x Breadth(E) x Depth(F)*	INTERNAL Dimensions Length(A) x Breadth(B) x Depth(C)	Weight (kg)	Maximum Dissipated Power (W)			
				T3/T4 (200°C)	T120°C	T5 (100°C)	T6 (85°C)
SSD111	180 x 150 x 76mm	130 x 100 x 50mm	8	37	31	23	16
SSD234	290 x 230 x 178mm	230 x 170 x 150mm	23	118	100	73	53
SSD434-A	400 x 230 x 180mm	340 x 170 x 150mm	30	190	161	117	85
SSD434-B	400 x 280 x 180mm	340 x 220 x 150mm	34	190	161	117	85
SSD435	460 x 270 x 220mm	400 x 210 x 190mm	42	169	141	103	76
SSD445-A	410 x 310 x 220mm	350 x 250 x 190mm	42	207	173	127	93
SSD445	450 x 370 x 224mm	390 x 310 x 190mm	61	207	173	127	93
SSD546	600 x 340 x 244mm	530 x 270 x 210mm	70	311	260	190	139
SSD556-A	500 x 440 x 250mm	430 x 370 x 210mm	83	380	318	233	171
SSD556-B	560 x 470 x 250mm	490 x 400 x 210mm	88	380	318	233	171
SSD646	710 x 330 x 290mm	630 x 250 x 250mm	104	399	334	244	179
SSD656	770 x 420 x 297mm	690 x 340 x 250mm	146	486	406	297	218
SSD768	1120 x 670 x 450mm	1020 x 570 x 390mm	436	1047	876	641	470

\*All dimensions relate to enclosure with external flange. Other sizes available on request.

## Product Specification

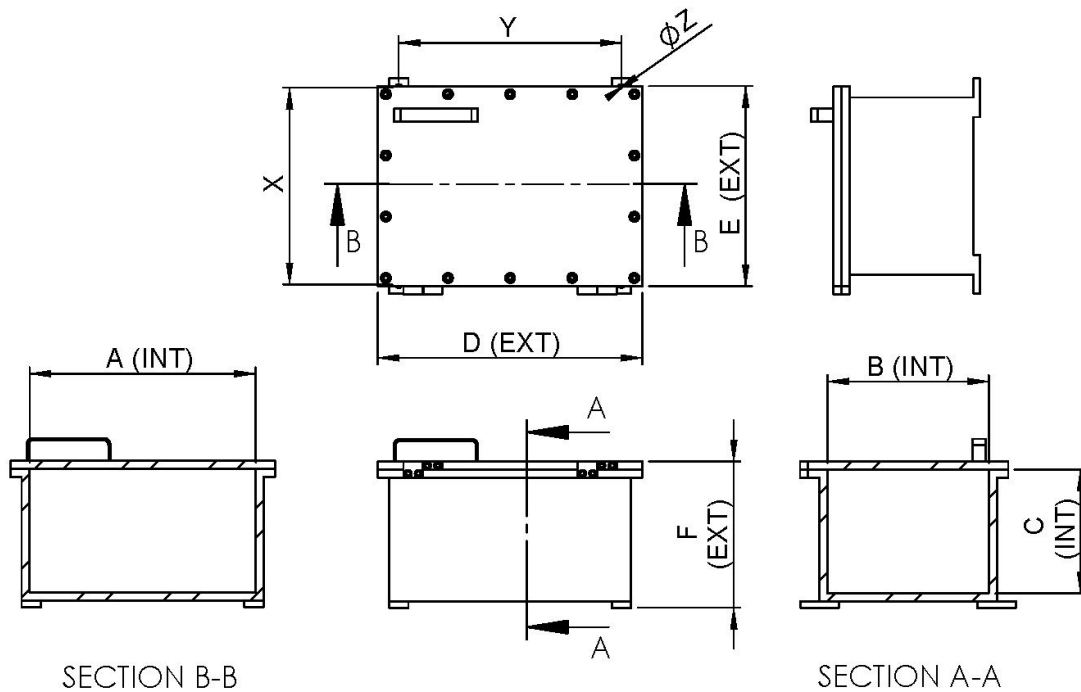
Apparatus Type	Flameproof Enclosure Range
Ingress Protection	IP66 to EN60529
Material	316 Stainless Steel enclosure, cover & hinges complete with 316 Stainless Steel fasteners
Mounting Plate	316 Stainless Steel
Components	Switches, Breakers, RCD units, Indicator lamps, motor controllers, etc.
Voltage Rating	660V ac or 120V dc
Cable Entry	Variable entry combinations on any of the 4 vertical sides
Orientation	Universal
Mounting	Via rear mounting lugs (see dimensional data overleaf)
<b>Certification</b>	
Area Classification	Group IIB Category 2 GD (Zone 1, 2)    Option: Group IIB+ H <sub>2</sub> Category 2 GD (Zone 1, 2)
Type of Protection	Ex d (Flameproof), Ex tb (Dust), Ex ia/ib (Intrinsically Safe)**
Apparatus Coding	II 2 GD Ex d IIB (+H <sub>2</sub> ) T3*** Gb
Ambient Temperature	-20°C ≤ Tamb ≤ 40°C    or    -20°C ≤ Tamb ≤ 55°C
Certificate Number	INERIS 13ATEX0019X / IECEx INE14.0061X

\*\* - Refer to certificate for details of Ex i coding

\*\*\* - T4, T5 or T6 - subject to inspection of internal components

Product design and specifications are subject to change without notice; please check the website for latest specifications

## Apparatus Dimensions (External Flange)



	SSD111	SSD234	SSD434-A	SSD434-B	SSD435	SSD445-A	SSD445	SSD546	SSD556-A	SSD556-B	SSD646	SSD656	SSD768
DIM X (mm)	140	225	225	275	265	315	365	325	425	455	305	395	650/550
DIM Y (mm)	130	225	335	335	395	345	385	525	425	485	625	685	1000/1100
DIM Z (mm)	7	9	9	9	9	9	9	11	11	11	11	13	15

## Options

MSD	Mild Steel
H2	Group IIB+ H <sub>2</sub> version
RAL <sub>xxx</sub>	Paint Finish (Any RAL colour) Note: Maximum paint thickness limited to 2mm for IIB and 0.2mm for IIB+H <sub>2</sub> areas
INT	Internal Flange
W	Window Options available for window fitted to cover or sides (T6 or T5 rating only)
BD	Breather Drain (Stainless Steel 1/2" NPT)

Add the required suffix to the product reference, for example SSD234RAL7001