

EPC6

DIFFERENTIAL PRESSURE CONTROLLER

INTRODUCTION

The EPC6 differential pressure controller is designed for monitoring the differential pressure across fabric filters. The cleaning cycle is adapted to cope with the level of dust, there-by saving energy and increasing the life of filter fabric.

Pre-set and adjustable differential pressures are used to initiate the cleaning cycle where pre-set low pressure suspends cleaning and high pressure re-initiates the cycle.

The cleaning system is activated by sensing the Differential Pressure across the filter bags and activating the pulse cleaning to maintain this pressure between two adjustable limits.

The unit is fitted with three adjustable potentiometers with scales calibrated from 0 - 3 kPa.

High Pressure Potentiometer ①

Power will be provided to the pulse sequencer when the pressure rises to this pre-set level and cleaning of the filter will commence.

Low Pressure Potentiometer ②

Power will be taken off the pulse sequencer when the pressure falls to this pre-set level and cleaning of the filter will cease, i.e., the pressure drop across the filter increases to the high level then cleaning commences. The cleaning will continue until the differential pressure drops to the low level and then ceases until the high level is reached again.

Cleaning LED ③

This LED is illuminated when the high level is reached, remains illuminated while the cleaning is in progress, and goes out when the low level is reached and cleaning ceases.

High/High Pressure Potentiometer ④

This function is provided as an alarm should the cleaning system fail to maintain the filter differential below the pre-set high level. At this pre-set level the N/O potential free alarm contacts will close.

Contact rating	240v A.C.	2A	non inductive
	24v A.C.	5A	* *
	24v D.C.	2A	* *

This alarm should be connected back to an operators panel to indicate when the condition exists.

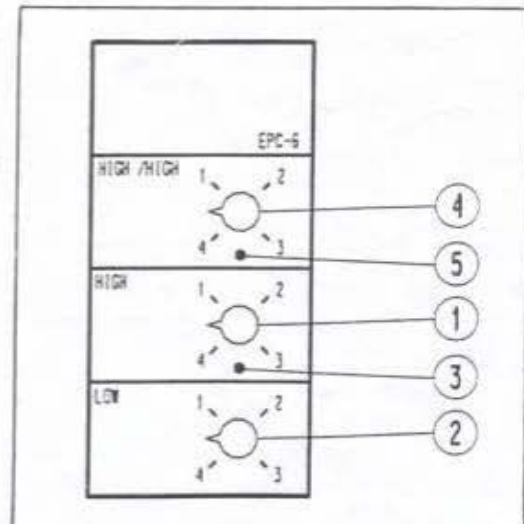
Alarm LED ⑤

This LED will be illuminated when the high/high level is reached and will remain illuminated until the pressure falls below this level. This is a local fault indication.



LUHR FILTER

OTHER PRODUCTS: DUST EMISSION MONITORS, FABRIC FILTER PULSE TIMERS, PLC BASED PLANT CONTROL SYSTEMS, ELECTRICAL CONTROL CUBICLES, HIGH EFFICIENCY CYCLONES, FABRIC FILTERS, CARTRIDGE FILTERS, WET SCRUBBERS, DUST CONTROL SYSTEMS.



DIMENSIONS:
50 mm wide x 105 mm deep x 110 mm high

Luhr Filter Pty. Ltd.

A.C.N. 006 206 324

9 Neutron Place Rowville 3178

P O Box 67, Knoxfield Victoria 3180

Tel : (03) 9764 - 9166 Telefax : (03) 9764 - 9140