

MODEL:- TLP-SL12 xxL

Transtech Lightning Protector for all LV Instrument Loops.

GENERAL DESCRIPTION

The TLP-SL12-xxL is a very compact single Channel **12mm wide** lightning and transient arrester providing protection for equipment with low voltage digital or analogue inputs, limiting the transient over-voltage to less than twice the normal working voltage.

The TLP-SL12-xxL provides protection between all conductors, line to line and each line to earth. It is mounted on to "DIN" rail (46277-3) and offers screen termination via terminals and the earth via a 300 mm earth wire "tail".

TECHNICAL DATA

Voltage rating
Normal working voltage +/- 05, 12, 15, 18, 24, 30, 48 Vdc
Peak let thru volts 19V @ 1p = 1A
Peak let thru volts 24V @ 1p = 10A

Current/Resistance rating
End to End resist. Less than 0.6 ohms
Max Current 1 Amp
Surge Current Imax 10kA/mode (8/20us)
 2 kA/mode (10/350us)

Discharge Power 400W PPPD @ (8/20uS)
 (Peak Pulse Power Discharge)

Response rating
Response time. Under 10nsec

GENERAL SPECIFICATION

Capacitance @ 1mMz, 75pF
Operating Temp -10 to 60 Deg C
Storage Temp -55 to 75 Deg C
Terminals Self-opening 2.5mm/12AWG
Housing Material KRILEN
Mounting Style DIN
Dimensions 110mm X 52mm X12mm
Weight 60 grams

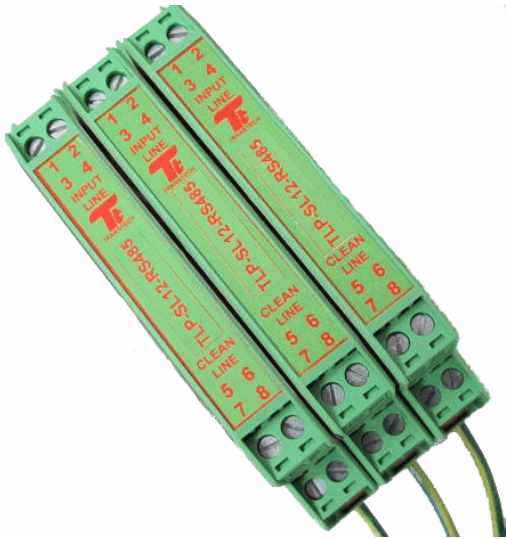
WIRING/CONNECTION NOTE:

The TLP-SL12-xxL series must be connected the correct way around. Terminals 1-2 are always the field input and terminals 7-8 (clean lines) must always input to the equipment being protected.

Model	Working Voltage	Frequency.	Imax	In	Let Thru V	Response Time
TLP-SL12-05L	5V	DCV	10kA	2kA	>24	10ns
TLP-SL12-12L	12V	DCV	10kA	2kA	>24	10ns
TLP-SL12-15L	15V	DCV	10kA	2kA	>24	10ns
TLP-SL12-18L	18V	DCV	10kA	2kA	>24	10ns
TLP-SL12-24L	24V	DCV	10kA	2kA	>24	10ns
TLP-SL12-48L	48V	DCV	10kA	2kA	>24	10ns

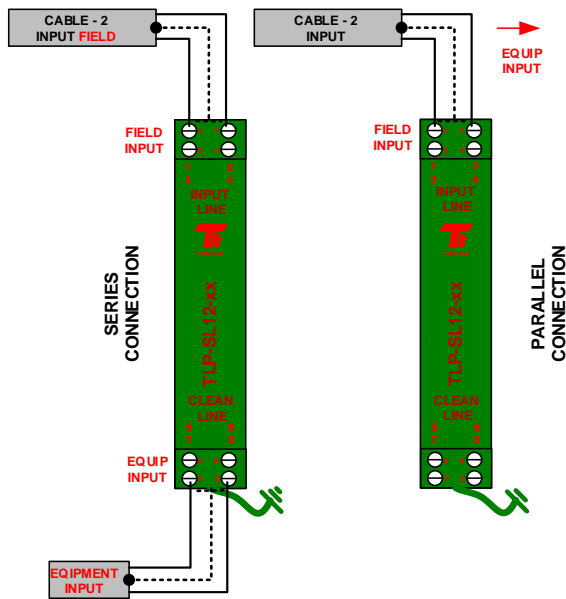
Other Voltages available - also in ACV please contact factory

TABLE No 2



FEATURES

- ◆ Low "let thru" voltage
- ◆ Protection between ALL lines
- ◆ Fast snap on DIN rail mounting
- ◆ Fail to safe status design
- ◆ High speed switch technology to prevent signal attenuation
- ◆ Low line losses (volt drop)
- ◆ Designed and manufactured to ISO 9001
- ◆ C-Tick/ CE Compliant
- ◆ IEC 1000-4-2 & EN50082



CONNECTION SCHEDULE

