

## MODEL:- TLP-SFxx-1P-xxxV

Transtech Lightning Protector Single Phase, 3 Mode with LED & RELAY covering CAT C

### GENERAL DESCRIPTION

The TLP-SFxx-1P-xxx is a range of single phase series connected 40Amp & 63Amp lightning and transient protectors, that provide protection for electrical / electronic equipment connected to single phase distribution systems. The TLP-SFxx-1P-xxx are true 3 mode series connected protection devices with a specifically designed low pass filter and high level of kA rating in all 3 modes. The TLP-SFxx-1P-xxx series offers a DIN style format to match the profile of most MCB's, these models offer a relay output as standard.

**For mains supply of greater than 100A adequate HRC fuse or MCB protection must be installed prior to the TLP-SFxx-1P**



### FEATURES

- ◆ Compact design – space saving
- ◆ Low “let thru” voltage
- ◆ Designed and manufactured to ISO 9001
- ◆ Internally protected – automatic reset
- ◆ Local status indication by coloured LED's
- ◆ Remote status indication relay output
- ◆ High Energy/low dissipation designed pcb's
- ◆ CE Marking / C-tick N 2909
- ◆ Full 3 mode protection
- ◆ DIN 43880 compliant
- ◆ Designed to meet IEC 61643-1:2005
- ◆ Designed to meet AS/NZS 1768:2007

**NOTE: This device must be installed by a Qualified Electrician.**

### TECHNICAL DATA

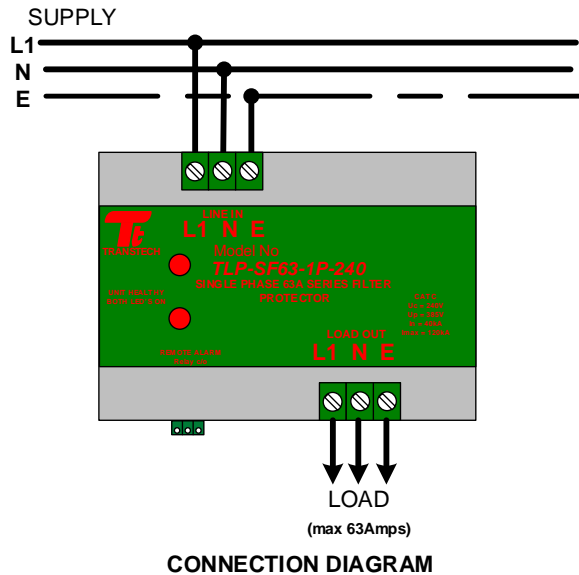
Normal Working voltage	see table 2 below
Maximum working voltage	275VAC rms (phase to neutral)
Working Freq.	40 - 60Hz
Peak let thru volts	see table 2 below
Maximum mains current	40Amp and 63Amp
	Must be fuse protected over 100A Mains
I <sub>max</sub>	see table 2 below
Response time	Less than 25nS
Relay Contacts	Optional SPCO (1 amp @240Vac)
Surge Reset	Automatic

### SPECIAL FEATURES

Indication 2	LED Power ON and all Healthy
OPTIONS	
Relay Output	SPCO Relay (1Amp @ 240Vac)

### GENERAL SPECIFICATION

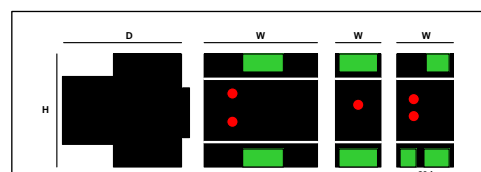
Operating Temp	-40 to +70 Deg C
Terminals	16mm <sup>2</sup> solid max / 10mm <sup>2</sup> flex max
Remote Terminals	-
Indicators	Two (2) LED's
Housing Material	Mild Steel (Powder coated)
Dimensions	see table 3 below
Weight	see table 3 below
Mounting	DIN 43880 Standard DIN Rail



Model	Working Voltage Frequency.		I <sub>max</sub>	In	Let Thru V 15x8/20us 1p @ 1Amp	Response Time	Cut Off Freq dB
	Line - Neutral						
TLP-SF40-1P-120V	120V	40-60HZ	54kA	18kA	>710	25nS	-3dB
TLP-SF40-1P-240V	240V	40-60HZ	54kA	18kA	>710	25nS	-3dB
TLP-SF63-1P-120V	120V	40-60HZ	58kA	18kA	>710	25nS	-3dB
TLP-SF63-1P-240V	240V	40-60HZ	58kA	18kA	>713	25nS	-3dB
					0		

Other Voltages available please contact factory

**TABLE No 2**



**TABLE 3**

MODEL	WIDTH	HIGH	DEEP	WEIGHT
TLP-SF20SL	25 mm	110 mm	90 mm	0.12kg
TLP-SF20RI	48 mm	110 mm	90 mm	0.19kg
TLP-SF40-1P	115 mm	110 mm	90 mm	1.0kg
TLP-SF63-1P	135 mm	110 mm	90 mm	1.0kg